

6 Tonne Power Swivel

KEY FEATURES & BENEFITS - MACH2266

POWERSHUTTLE
TRANSMISSION



The Thwaites 6 Tonne Power Swivel, Stage V dumper is manufactured with contractors and hirers in mind – ensuring operator safety, reducing risk on site and improving performance. The Power Swivel skip enables a 90° rotation left and right, allowing the machine easier access to tip loads in restricted areas, giving the operator greater control and reducing risk on site.

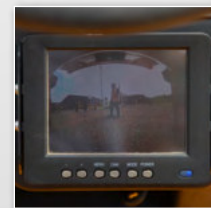
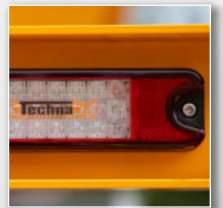
Powered by a 3.6L Deutz turbo diesel engine fitted with a DPF to comply with EU stage V emission regulations, you benefit from 55.4 kW peak power, 405 Nm of torque and no AdBlue requirement. The Thwaites 6 Tonne Power Swivel is also available with a Powershift Transmission.

Thwaites 6 Tonne machines are available in a range of configurations to suit your needs including:

- › 6 Tonne Power Swivel with Cab
- › 6 Tonne Front Tip with Cab
- › 6 Tonne Front Tip

A Spring Activated Hydraulic Release (SAHR) Handbrake, 5" screen displaying 150° around machine visibility, hi-vis steps, LED road lights and amber LED beacon are all fitted as standard. Optional extras include a green LED beacon, GPS speedometer and Trackunit.

Safe, compliant and competitive.



Snap this QR code
from your smart
phone for more
information



Thwaites

Thwaites Ltd, Leamington Spa,
Warwickshire, CV32 7NQ, England
Tel +44 (0)1926 422471

www.thwaitesdumpers.co.uk

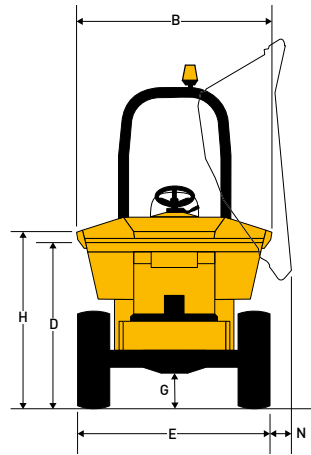
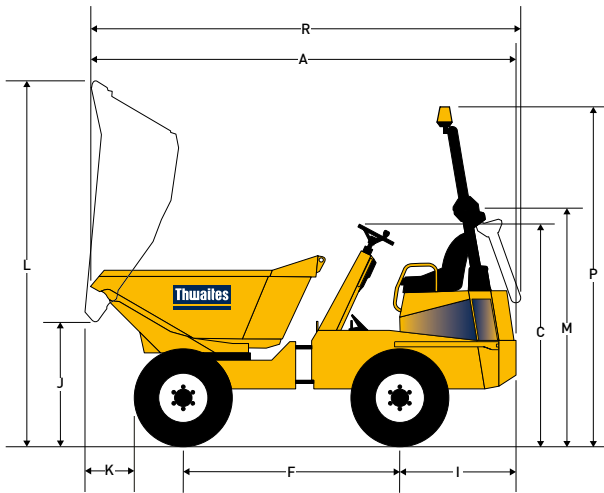


GET THE JOB DONE.

6 Tonne Power Swivel

DIMENSIONS & SPECIFICATIONS - MACH2266

(mm)



| | | | |
|----------|------|----------|------|
| A | 4815 | N | 100 |
| B | 2280 | P | 3430 |
| C | 2230 | R | 5082 |
| D | 1670 | | |
| E | 2240 | | |
| F | 2480 | | |
| G | 370 | | |
| H | 1850 | | |
| I | 1235 | | |
| J | 1100 | | |
| K | 550 | | |
| L | 3694 | | |
| M | 2230 | | |

| | | |
|---------------|----------|---------|
| Weight | Unladen | 4540 kg |
| | Shipping | 4416 kg |

| | | |
|-------------------|---------------|-------------|
| Capacities | Max safe load | 6000 kg |
| | Heaped | 3150 litres |
| | Struck | 2550 litres |
| | Water | 1650 litres |

Engine

- > Deutz TCD 3.6 L4, water-cooled, 4-cylinder, charged air cooled turbo, fuel injected diesel and after treatment Diesel Particulate filter
- > Power 55.4 kW/ 74 bhp at 2200 rpm
- > Torque 405 Nm (299 lbf ft).

Noise Levels

- > Operator's ear 84 LpA / airborne level 102 LwA

Transmission

- > Torque converter four speed forward and reverse Powershuttle transmission, column mounted speed and directional control lever

| | | |
|---------------|---------------------|----------------------|
| Speeds | Forward and Reverse | |
| | 1 | 5.0 km/h (3.1 mph) |
| | 2 | 8.0 km/h (5.0 mph) |
| | 3 | 15.1 km/h (9.3 mph) |
| | 4 | 27.7 km/h (17.3 mph) |

Brakes and Axles

- > Totally enclosed multiplate oil-immersed discs mounted on both axles & auto wear adjustment
- > Hand operated parking brake (SAHR)

Kinglink Chassis

- > Constructed from folded steel plate, with three point Kinglink giving articulation and oscillation for better stability, traction and safety on site

Skip

- > Hydraulically operated, 8 mm steel base plate
- > Skip mouth & sides reinforced with box sections
- > Power Swivel skip enables a 180° rotation

Seating & Controls

- > Adjustable suspension seat with high-vis seat belt
- > Clear operators display unit contains all warning lamps

Service Access

- > Lockable engine cover for ground level service points
- > Rear chassis panel can be hinged back on retainers

Electrics

- > Fuse & relay are housed on a central power distribution board
- > Main harness is fully enclosed in solid conduit and incorporates the engine diagnostic port

Steering and Hydraulics

- > Hydraulic power steering
- > Return line filtration for all services
- > Hydraulic test point fitted as standard

| | | |
|------------------------|-----------|-----------|
| Tank Capacities | Fuel | 72 litres |
| | Hydraulic | 50 litres |

| | |
|-----------------------|-----|
| Turning Circle | 12m |
|-----------------------|-----|

Standard Equipment

- > Full LED road lighting incl. DRL (Daylight Running Lights)
- > Camera and dashpanel monitor
- > Reverse alarm
- > LED beacon, fan guard

Optional Equipment

- > Road mirrors
- > Wheel nut indicator
- > GPS speedometer

Thwaites

Thwaites Ltd, Leamington Spa,
Warwickshire, CV32 7NQ, England
Tel +44 (0)1926 422471

www.thwaitesdumpers.co.uk



Images are representative, but specific details or equipment may vary by country. We reserve the right to change any and all specifications without prior notice. 01/2022